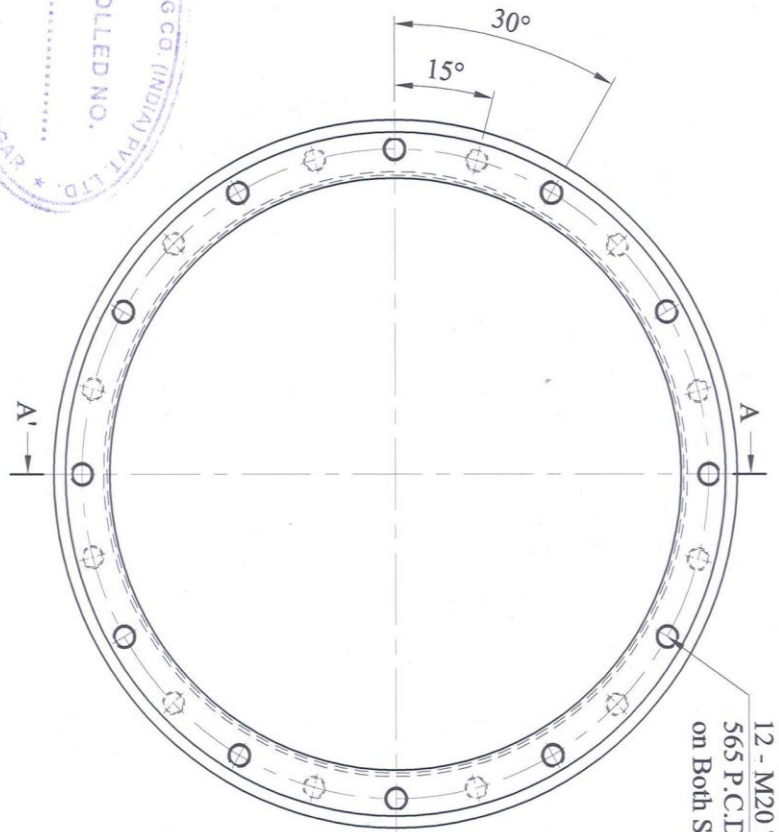
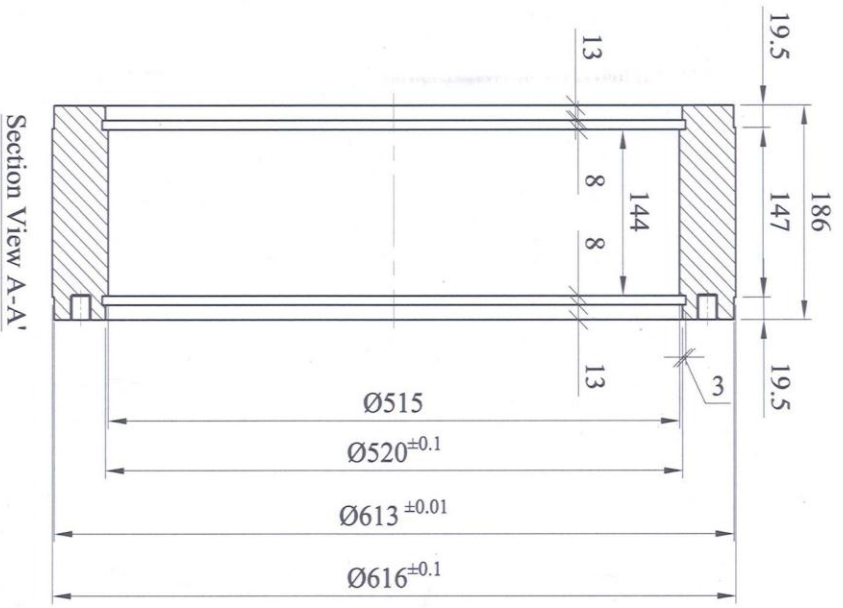


D:\DESIGN-6\SF-SPARE PART\MANUFACTURER FILE DATA\CATTLE & POULTRY\COMMONDIE (IN PROCESS)\LSCF-26_LARK (CATTLE SENIOR STD-S) 18-22 HRC.DWG
 DO NOT SCALE, IF ANY DOUBT PLEASE ASK.
 PLEASE DESTROY THE OLD REVISION OF THIS DRAWING.



UNAUTHORIZED USE OF THIS DRG. OR MAKING PRODUCT AS PER THIS DRG. WITHOUT OUR PERMISSION OR ANY OTHER MISUSE IS NOT PERMITTED.
 ALL THE DIMENSIONS ARE IN MM OTHERWISE MENTIONED.
 ALL THE SHARP EDGES MUST BE REMOVED.



All Sizes Are Before Gun drilling

Material:- X46Cr13
 Hardness:- 18-22 HRC



LARK

LARK ENGG. CO. (INDIA) PVT. LTD.

LTL, SASOULI ROAD, YAMUNA NAGAR, PH: 91-01732-254685, 259685
 Find us at : www.larkengco.com, e-mail : sahnrl@larkengco.com

TITLE : LARK SUPER SENIOR-STD-S (LPM-520)

ITEM: DETAIL DRG OF DIE (THK-48)

REFERENCE DRG NO.: LSD-516 B

DRN. BY KARAN

CKD. BY

APPD. BY

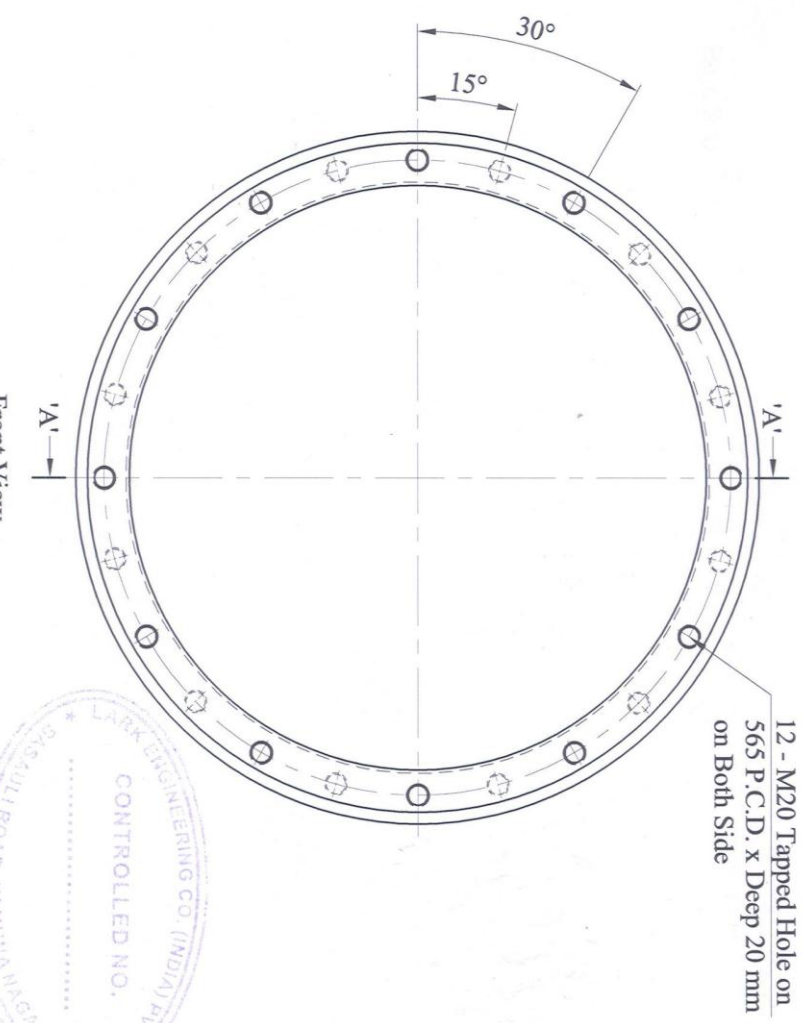
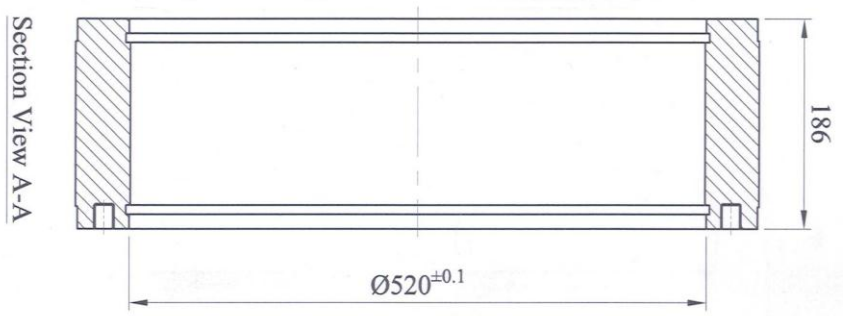
DATE 03.05.21

JOB REV. NO. 00 A4

REV. NO.	REVISION	DETAIL	DRN. BY	CHK. BY	APPD. BY	DATE
01	JONE					

DESIGN-6LSF-SPARE PART MANUFACTURER FILE DATACATTLE & POULTRYCOMMONDIE (IN PROCESS)\USCF-26_LARK (SUPER SENIOR-STD-S) 169A/B DETAIL
 DO NOT SCALE, IF ANY DOUBT PLEASE ASK.
 PLEASE DESTROY THE OLD REVISION OF THIS DRAWING.

UNAUTHORIZED USE OF THIS DRG. OR MAKING PRODUCT AS PER THIS
 DRG. WITHOUT OUR PERMISSION OR ANY OTHER MISUSE IS NOT PERMITTED.
 ALL THE DIMENSIONS ARE IN MM OTHERWISE MENTIONED.
 ALL THE SHARP EDGES MUST BE REMOVED.



All Sizes Are After Gun drilling

Material:- X46Cr13
 Hardness:- 18-22 HRC



LARK

LARK ENGG. CO. (INDIA) PVT. LTD.

LTL, SASOULI ROAD, YAMUNA NAGAR, PH: 91-01732-254685, 259685
 Find us at : www.larkengco.com, e-mail : ssthr@larkengco.com

TITLE : LARK SUPER SENIOR-STD-S (LPM-520)

ITEM: DETAIL DRG OF DIE (THK-48)

REFERENCE DRG NO.: LSD-516 B DRG. NO. LSD-516 A

DRN. BY KARAN

CKD. BY

APPD. BY

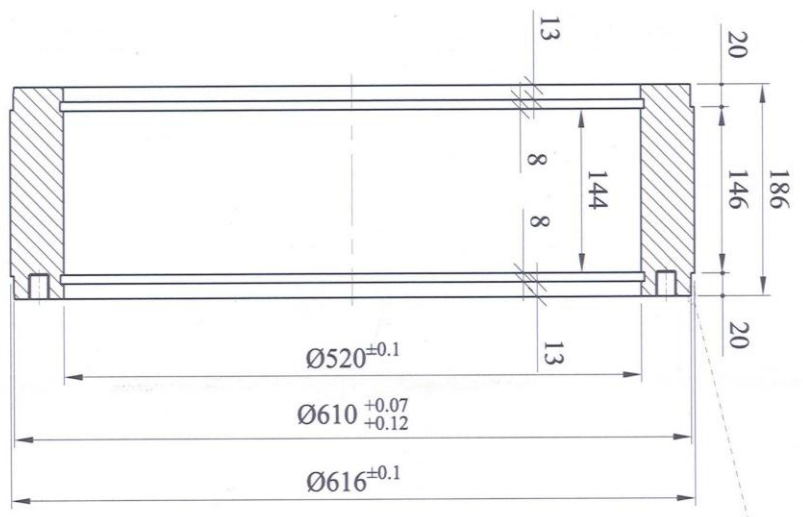
DATE 03.05.21

JOB REV. NO. 00 SH. A4

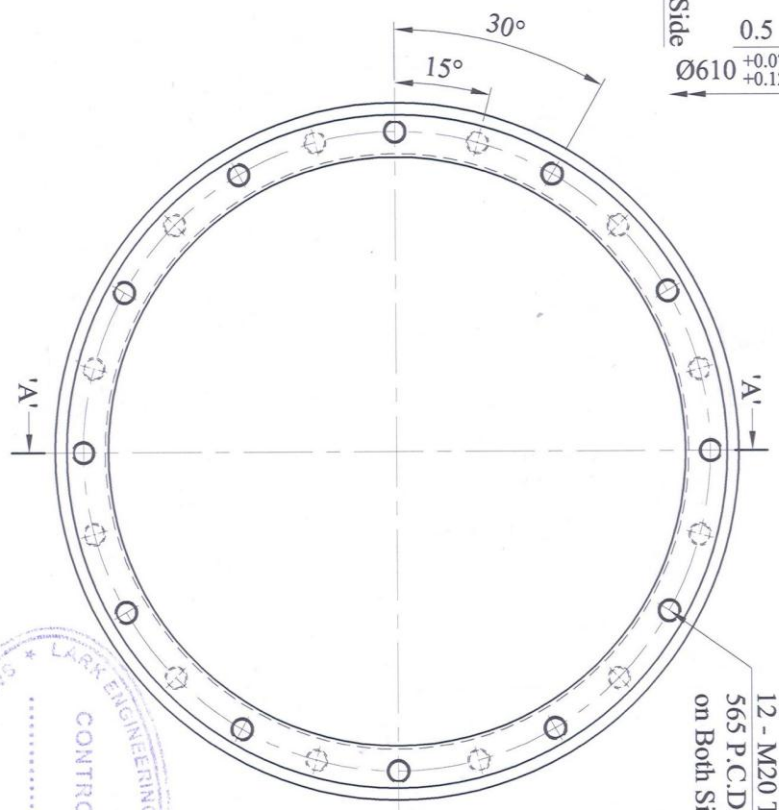
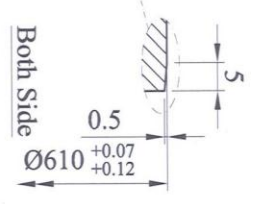
REV. NO.	JONE	REVISION DETAIL	DRN. BY	CHK. BY	APPD. BY	DATE
01						



THK-48)
 D:\DESIGN-6\LSF-SPARE PART\MANUFACTURER FILE DATA\CATTLE & POULTRY\COMMONDIE (IN PROCESS)\USCF-26_LARK (C) 2015 SENIOR-STD-S (LPM-520) A, B DETAIL
 DO NOT SCALE, IF ANY DOUBT PLEASE ASK.
 PLEASE DESTROY THE OLD REVISION OF THIS DRAWING.



Section View A-A



12 - M20 Tapped Hole on
 565 P.C.D. x Deep 20 mm
 on Both Side

ALL THE DIMENSIONS ARE IN MM OTHERWISE MENTIONED.
 ALL THE SHARP EDGES MUST BE REMOVED.

All Sizes Are after Grinding

Material:- X46Cr13
 Hardness:- 50-55 HRC



LARK

LARK ENGG. CO. (INDIA) PVT. LTD.

L.T.L, SASOULI ROAD, YAMUNNA NAGAR, PH.: 91-01732-234685, 239685
 Find us at : www.larkengco.com , e-mail : sashin@larkengco.com

TITLE: LARK SUPER SENIOR-STD-S (LPM-520)

ITEM: DETAIL DRG OF DIE (THK-48)
 REFERENCE DRG NO.: LSD-516 B



DRN. BY	KARAN
CKD. BY	
APPD. BY	

DATE	03.05.21
------	----------

JOB	00	REV. NO.	A4	SHT.	
-----	----	----------	----	------	--

REV. NO.	01	JONE	REVISION DETAIL	M	N	O	P	Q	R	S	T
----------	----	------	-----------------	---	---	---	---	---	---	---	---