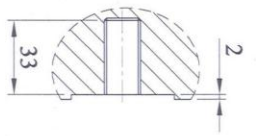


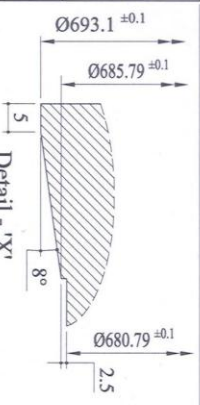
D:\DESIGN-6\LSF-SPARE PART\MANUFACTURER FILE DATA\BIOFUEL\LSCF-08_YULONG (BIOFUEL)\XGJ-560\USD-320_B_Detail Drawing of 320 Die (Thk-66) LARK ENGG. CO. (INDIA)
 DO NOT SCALE, IF ANY DOUBT PLEASE ASK.
 PLEASE DESTROY THE OLD REVISION OF THIS DRAWING.



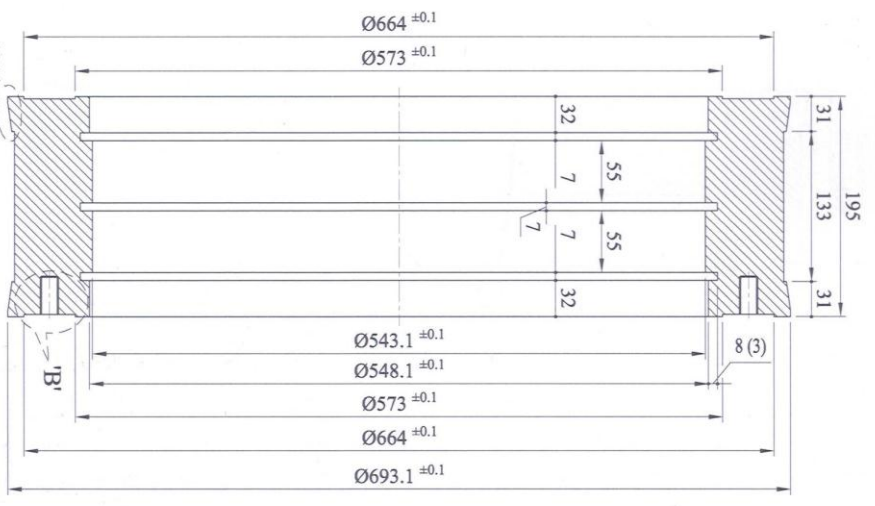
Detail - 'B'
Both Side



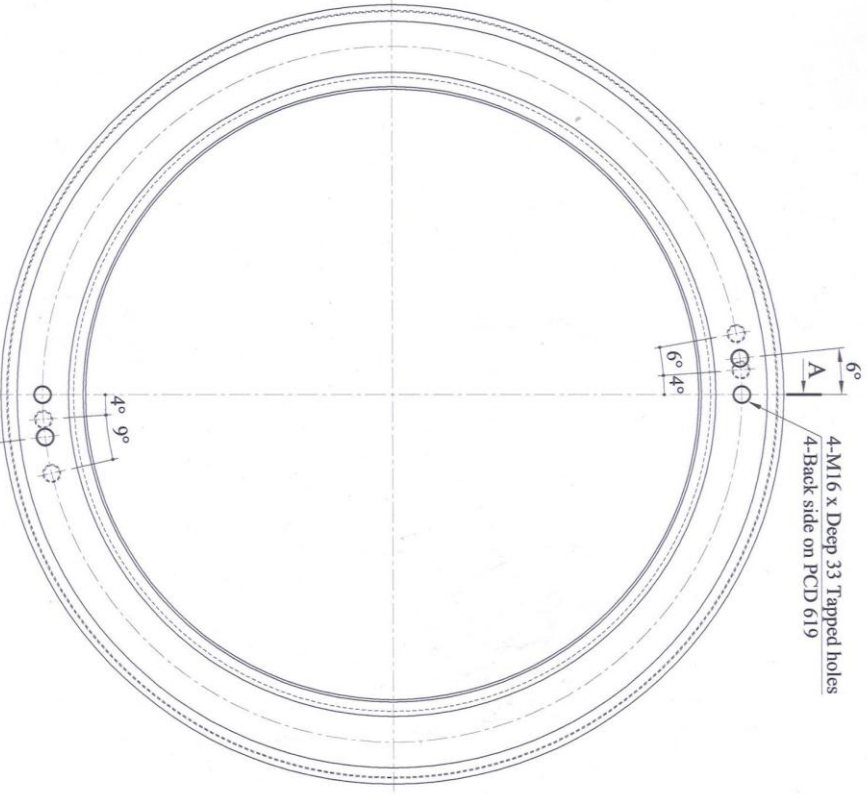
Detail - 'X'
Both Side



Sec. View A-A'



Front View



ALL THE DIMENSIONS ARE IN MM OTHER WISE MENTIONED.
 ALL THE SHARP EDGES MUST BE REMOVED.
 DRG. WITHOUT OUR PERMISSION OR ANY OTHER MISUSE IS NOT PERMITTED.
 UNAUTHORISED USE OF THIS DRG. OR MAKING PRODUCT AS PER THIS

All Sizes are Before Gundrilling
 Material :- X46 Cr13
 Hardness :- 18 - 22 HRC. (In Blank)

03	GROOVE HAS BEEN ADDED	19/04/21	Karan	
02	GROOVE DEPTH INCREASES	03/02/21	Karan	
01	Tapping Detail Added	03/01/20	Karan	
REV. NO./ZONE	REVISION DETAIL	DATE	DRN. BY	APPD. BY
0				

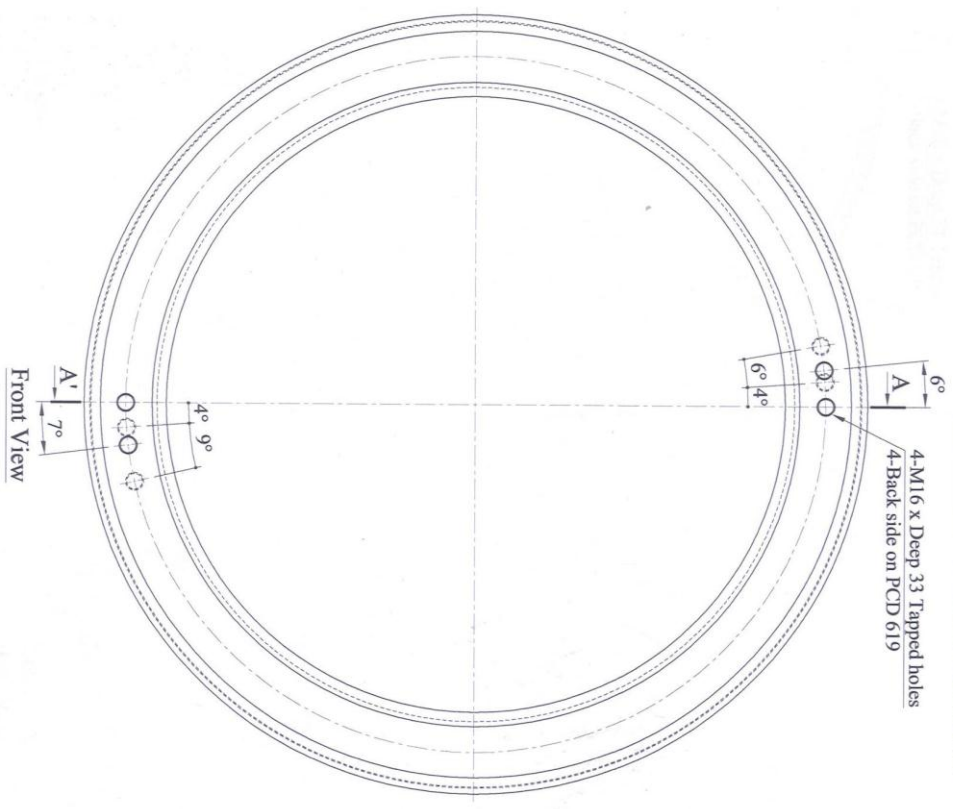
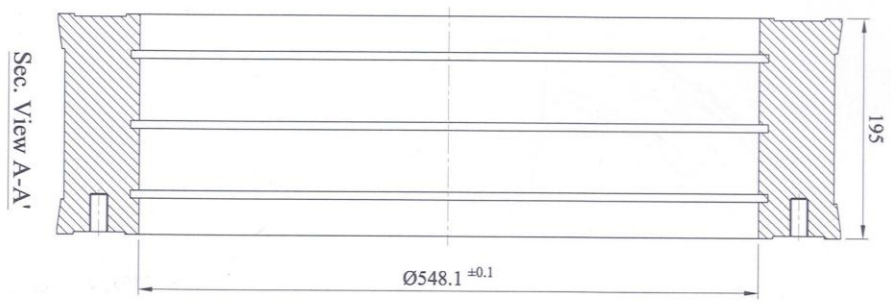


LARK

LARK ENGG. CO. (INDIA) PVT. LTD.		DRN. BY	Amarjeet
LTL, SASOULI ROAD, YAMUNA NAGAR, PH. : 91-01732-254685, 259685		CKD. BY	
Find us at : www.larkengco.com, e-mail : sales@larkengco.com		APPD. BY	
ITEM:	Detail Drawing of Die(Thk-66)	DATE	19-10-19
TITLE:	Yulong (XGJ560)		
REFERENCE DRG. NO.:	LSD-320B	DRG. NO.	LSD-320
		Job NO./REV. NO./SHT.	DIE 03 A4

DESIGN-GULF-SPARE PARTMANUFACTURER FILE DATA\BIOFUEL\SCF-08_YULONG (BIOFUEL)\XGJ-560\SD-320 B_Detail Drawing of SD-320 B.DWG
 DO NOT SCALE, IF ANY DOUBT PLEASE ASK.
 PLEASE DESTROY THE OLD REVISION OF THIS DRAWING.

UNAUTHORISED USE OF THIS DRG. OR MAKING PRODUCT AS PER THIS DRG. WITHOUT OUR PERMISSION OR ANY OTHER MISUSE IS NOT PERMITTED.
 ALL THE DIMENSIONS ARE IN MM OTHERWISE MENTIONED.
 ALL THE SHARP EDGES MUST BE REMOVED.



All Sizes are After Gundrilling
 Material :- X46 Cr13
 Hardness :- 18 - 22 HRC.

REV. NO	ZONE	REVISION DETAIL	DATE	DRN. BY	APPD. BY
03		GROOVE HAS BEEN ADDED	19/04/21	Karan	
02		GROOVE DEPTH INCREASES	03/02/21	Karan	
01		Hole Pattern is Added	24/10/19	Karan	

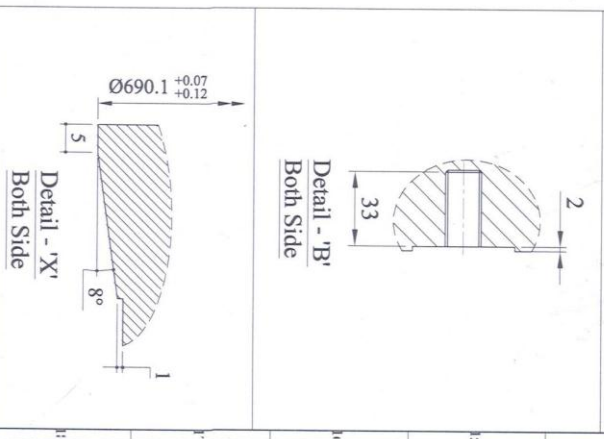
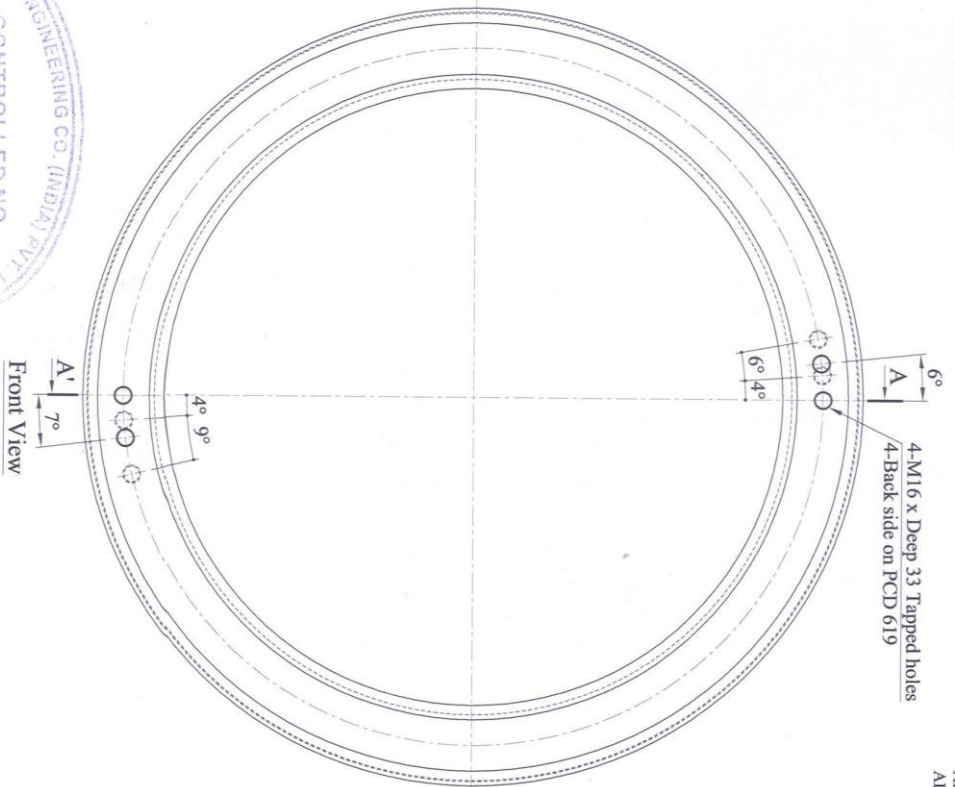
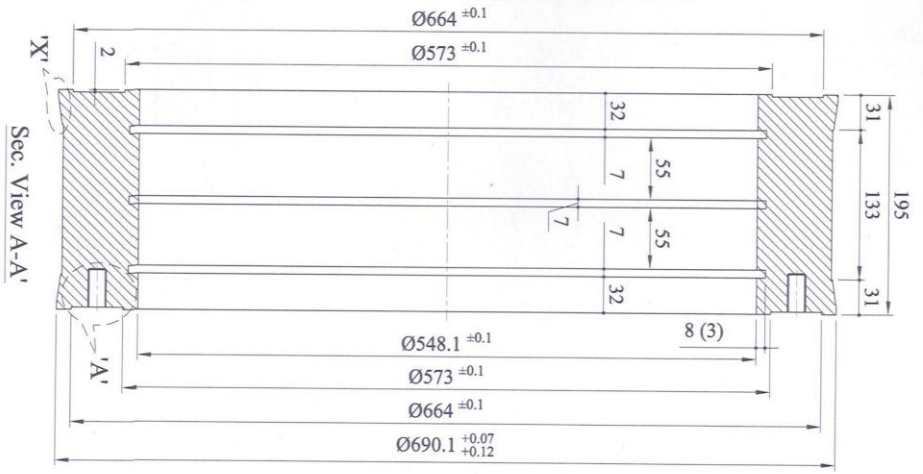


LARK

LARK ENGG. CO. (INDIA) PVT. LTD.		DRN. BY	Amarjiet
I.T.L. SASOULI ROAD, YAMUNA NAGAR PH: 91-01735-254685, 259685		CKD. BY	
Find us at : www.larkengco.com, e-mail : salbhn@larkengco.com		APPD. BY	
TITLE:	Yulong (XGJ560)	DATE	19-10-19
ITEM:	Detail Drawing of Die(Tlk-66)		
REFERENCE DRG.NO.:	LSD-320B	DRG. NO.	LSD-320A
		Job. NO.	03
		REV. NO.	A4

DESIGN-6LSE-SPARE PART/MANUFACTURER FILE DATA/BIOFUEL\LSCF-08_YULONG (BIOFUEL)\XG1-560\SD-320 B_Detail Drawing of Die (Thk-66)
 DO NOT SCALE, IF ANY DOUBT PLEASE ASK.
 PLEASE DESTROY THE OLD REVISION OF THIS DRAWING.

ALL THE DIMENSIONS ARE IN MM OTHERWISE MENTIONED.
 ALL THE SHARP EDGES MUST BE REMOVED.
 UNAUTHORISED USE OF THIS DRG. OR MAKING PRODUCT AS PER THIS DRG. WITHOUT OUR PERMISSION OR ANY OTHER MISUSE IS NOT PERMITTED.



All Sizes are After Grinding
 Material :- X46 Cr13
 Hardness : - 50 - 55 HRC.



REV. NO./ZONE	REVISION DETAIL	DATE	DRN BY	APPD. BY
03	GROOVE HAS BEEN ADDED	19/04/21	Karan	
02	GROOVE DEPTH INCREASES	03/02/21	Karan	
01	Tapping Detail Added	03/01/20	Karan	



LARK

LARK ENGG. CO. (INDIA) PVT. LTD.		DRN. BY	Amrajeev
LTL, SASOLI ROAD, YAMUNA NAGAR, PH. : 01-01732254685, 259685		CKD. BY	
Find us at : www.larkengco.com, e-mail : sales@larkengco.com		APPD. BY	
TITLE :	Yulong (XGJ560)	DATE	19-10-19
ITEM :	Detail Drawing of Die(Thk-66)	DRG. NO.	LSD-320B
REFERENCE DRG. NO. :	LSD -	Job. NO./REV. NO.	03
		SHT.	A4